

mUNIT POLE CLAMP

ONLY FITS
ERICSSON EQUIPMENT

THE mUNIT POLE CLAMP

is a part of building system for mUnit products and designed for attachment of mUnit Base Mount towards mast, towers or other vertical / horizontal structures.

FLEXIBILITY

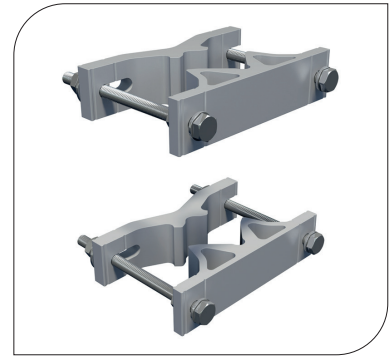
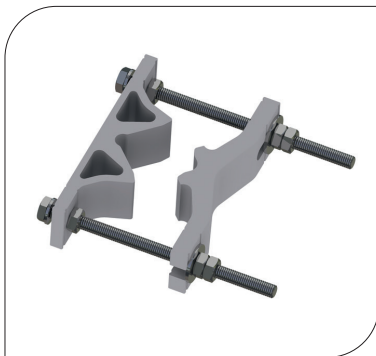
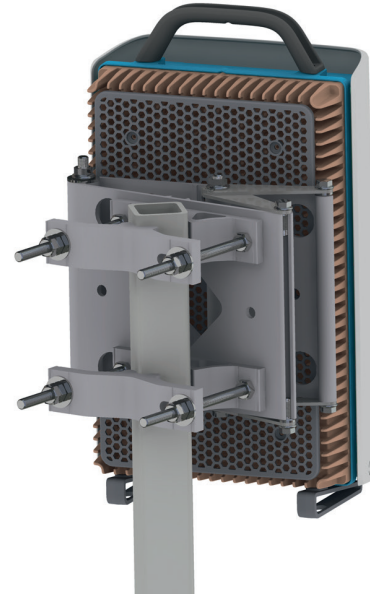
The mUnit Pole Clamp can handle a wide range of all common tower leg designs, round, square, angle etc. The Pole Clamp also has elongated slotted holes which means that the installer can unhook one half during installation and do not need to handle any loose parts.

QUALITY

All components are made of anodized aluminium or acid proof stainless steel which gives the support excellent corrosion resistance.

EASY ASSEMBLY

Handling and installation is very easy thanks to the light weight material of the product.



ORDER AND TECHNICAL INFORMATION

DRAWING NO:	CD 990703			
FUNCTION DESCRIPTION:	mUnit Pole Clamp for attachment of mUnit Base Mount towards mast, towers or other vertical/horizontal structures.			
MECHANICAL DATA:				
Clamp profiles:	Aluminium, nature anodized 20µm			
Fasteners:	Acid proof stainless steel M10 x 185 mm (7,3 in)			
MOUNTING SPAN:	TUBES: ○	SQUARE PROFILES: □	90° ANGLE ∨	60° ANGLE: ∨
Minimum:	Ø25 mm (1,0 in)	35 x 35 mm (1,4 x 1,4 in)	35 x 35 mm (1,4 x 1,4 in)	40 mm (1,6 in) opening
Maximum:	Ø120 mm (4,7 in)	90 x 90 mm (3,5 x 3,5 in)	90 x 90 mm (3,5 x 3,5 in)	100 mm (4,0 in) opening
PACKAGE DIMENSIONS:	LENGTH: 210 mm (8,3 in)	WIDTH: 235 mm (9,2 in)	HEIGHT: 45 mm (1,8 in)	WEIGHT: 1,5 kg (4 lb)

NOTE! RRU is not included.

Quality Design